

INSTALLATION MANUAL DIRECT INDIRECT

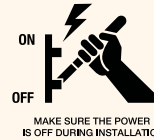
INDEX

- A:** SINGLE UNIT INSTALLATION
- B:** CONTINUOUS INSTALLATION
- C:** WIRING DETAILS

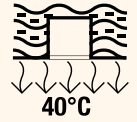


WARNING:

The safety and warranty of this fixture is guaranteed only if installed in compliance with below instruction manual.



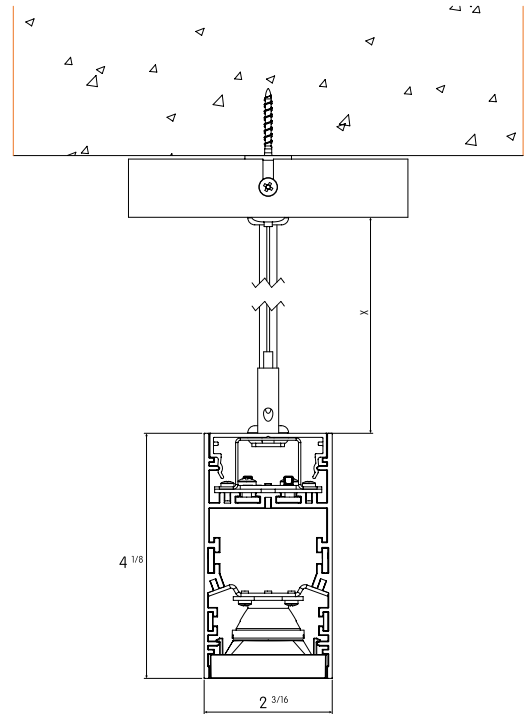
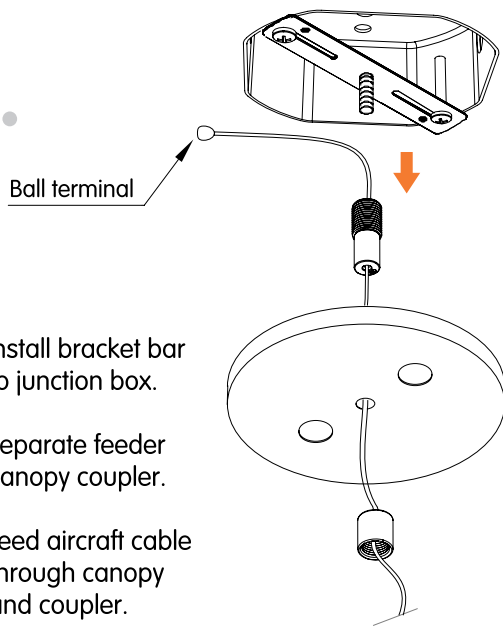
IP20



THE LOW SURFACE TEMPERATURE (40°C) IMPOSE NO LIMITS ON INSTALLATION

A. SINGLE UNIT INSTALLATION

1.



Prepare the ceiling conditions according to the factory shop drawings.

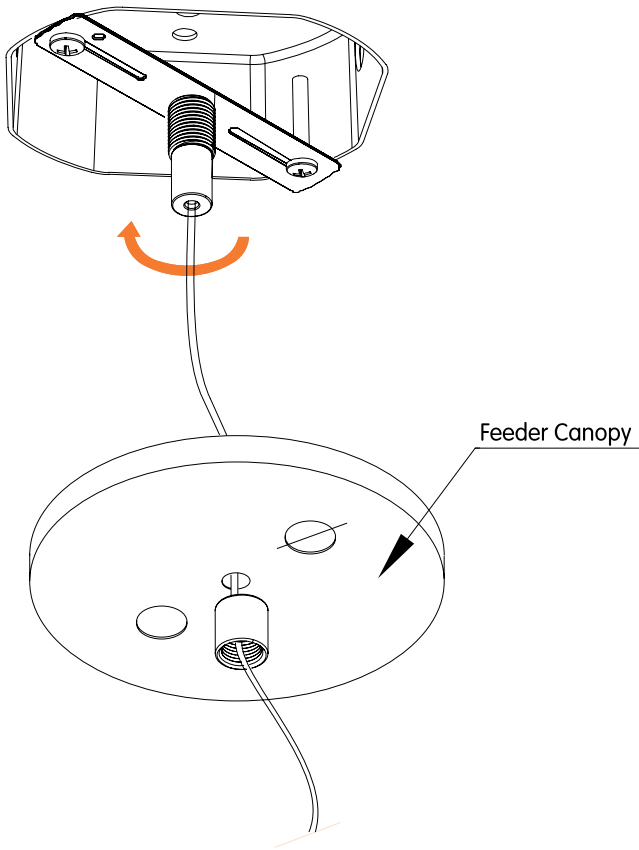
		24"		36"		48"		60"					
		Height		Width		Actual Length		Actual Length		Actual Length			
		mm	inch	mm	inch	mm	inch	mm	inch	mm	inch		
Wallgrazer	Direct / Indirect	105	4 1/8	55	2 3/16	608	23 15/16	908	35 3/4	1208	47 9/16	1508	59 3/8
Symmetrical Baffles	Direct / Indirect	105	4 1/8	55	2 3/16	608	23 15/16	908	35 3/4	1208	47 9/16	1508	59 3/8
Honeycomb	Direct / Indirect	105	4 1/8	55	2 3/16	587	23 1/8	874	34 4/9	1161	45 3/4	1448	57
Opal	Direct / Indirect	105	4 1/8	55	2 3/16	608	23 15/16	908	35 3/4	1208	47 9/16	1508	59 3/8

BILLET

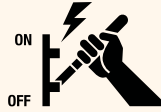
INDOOR PENDANT - DIRECT/INDIRECT

bold
lighting

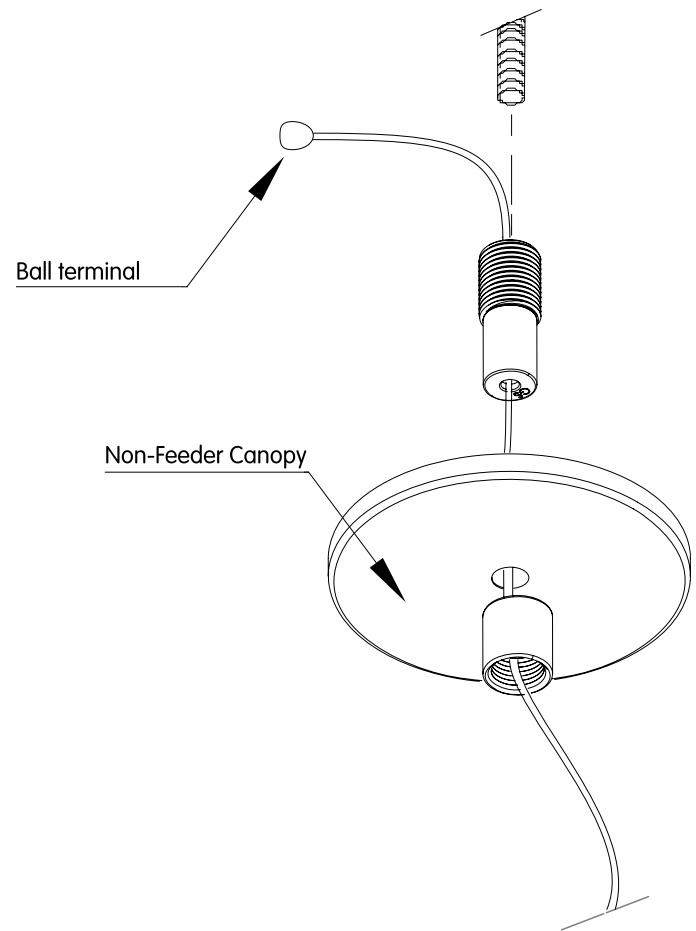
- 2.
- ▶ Screw coupler on bracket bar.
 - ▶ Leave canopy hanging.



WARNING: Shock hazard. Serious injury or death may occur.



Turn Off power before servicing or installing. Wire according to local and national codes. This product shall be installed by a qualified electrician.



- 3.
- ▶ Install all non-feeder canopies.
 - ▶ Keep ball terminal on high end of the cable.



WARNING: Failure to secure safety cables can lead to injury or death!

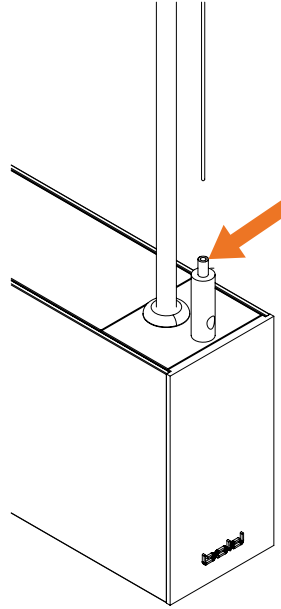
BILLET

INDOOR PENDANT - DIRECT/INDIRECT

bold
lighting

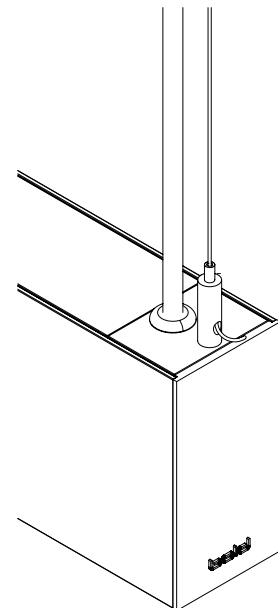
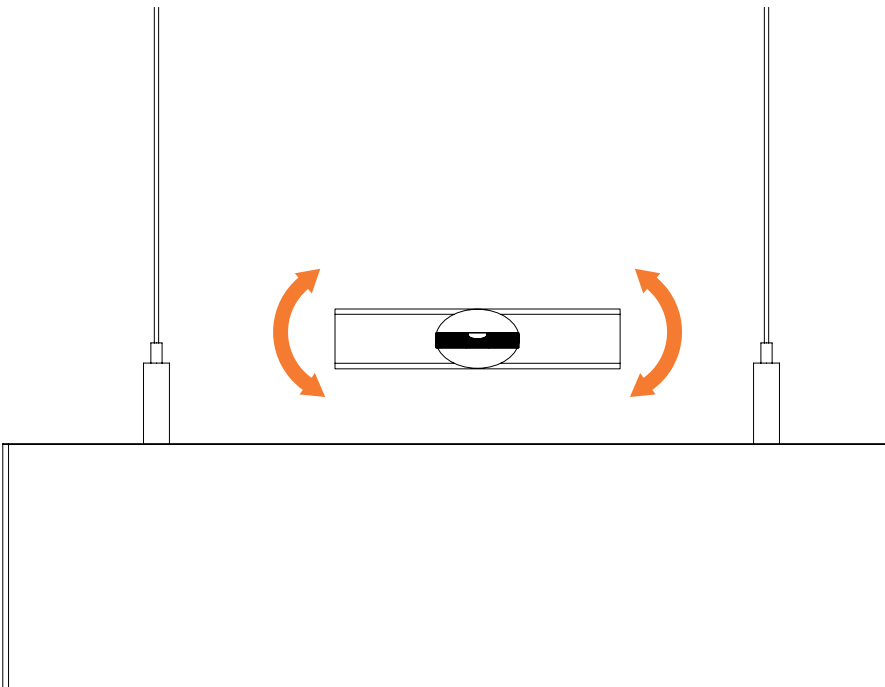
4.

- ▶ Insert aircraft cable in cable gripper.
- ▶ Press pin adjust cable length.



5.

- ▶ Adjust fixture to specified hanging height by pressing pin on cable gripper to lengthen or shorten aircraft cable.
- ▶ Ensure fixture is level before cutting excess aircraft cable.

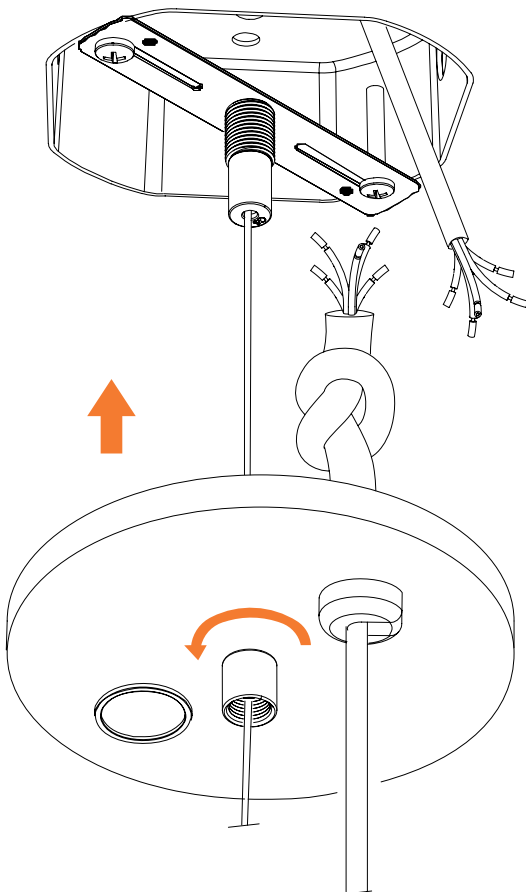
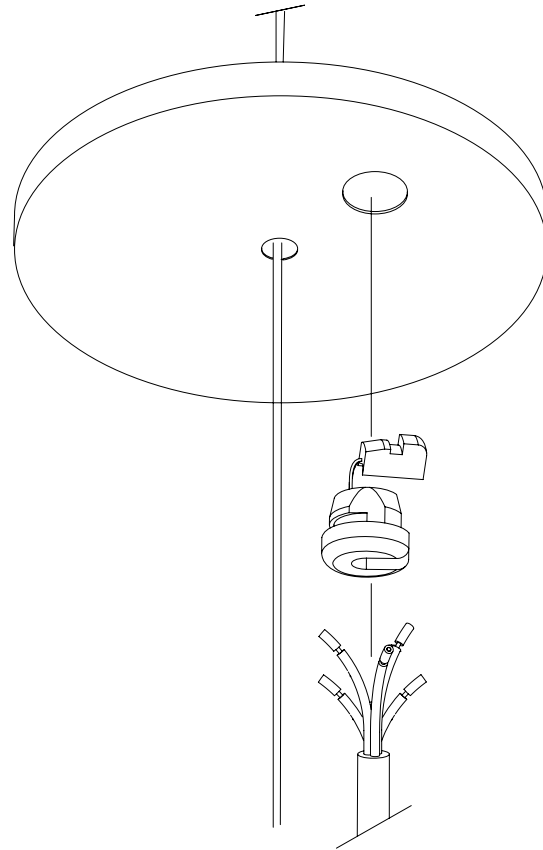


BILLET

INDOOR PENDANT - DIRECT/INDIRECT

bold
lighting

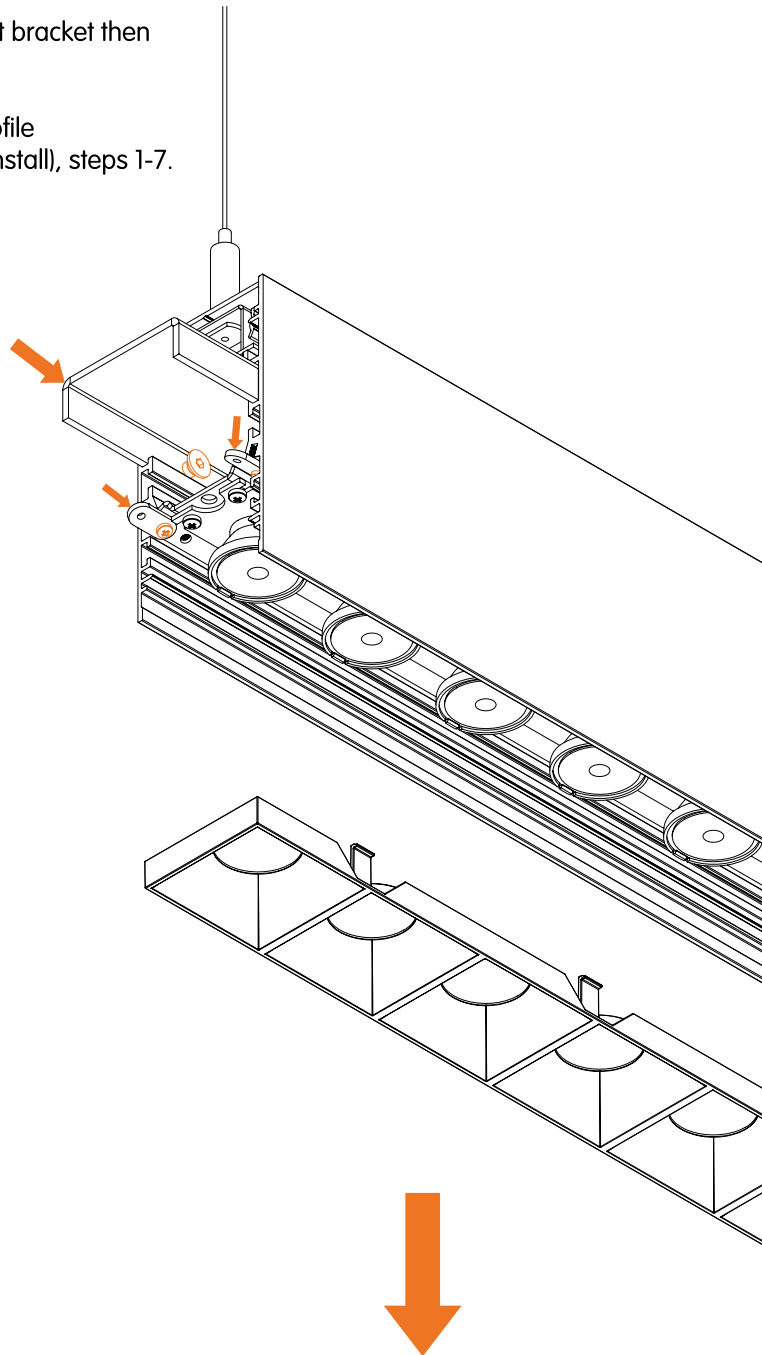
- 6.
- ▶ Install strain relief connector on feeding cable.
 - ▶ Keep enough cable length to make connections.



- 7.
- ▶ Tie a knot in the feeding cable.
 - ▶ Make electrical connections in junction box.
 - ▶ Install canopy.

B. CONTINUOUS RUN INSTALLATION

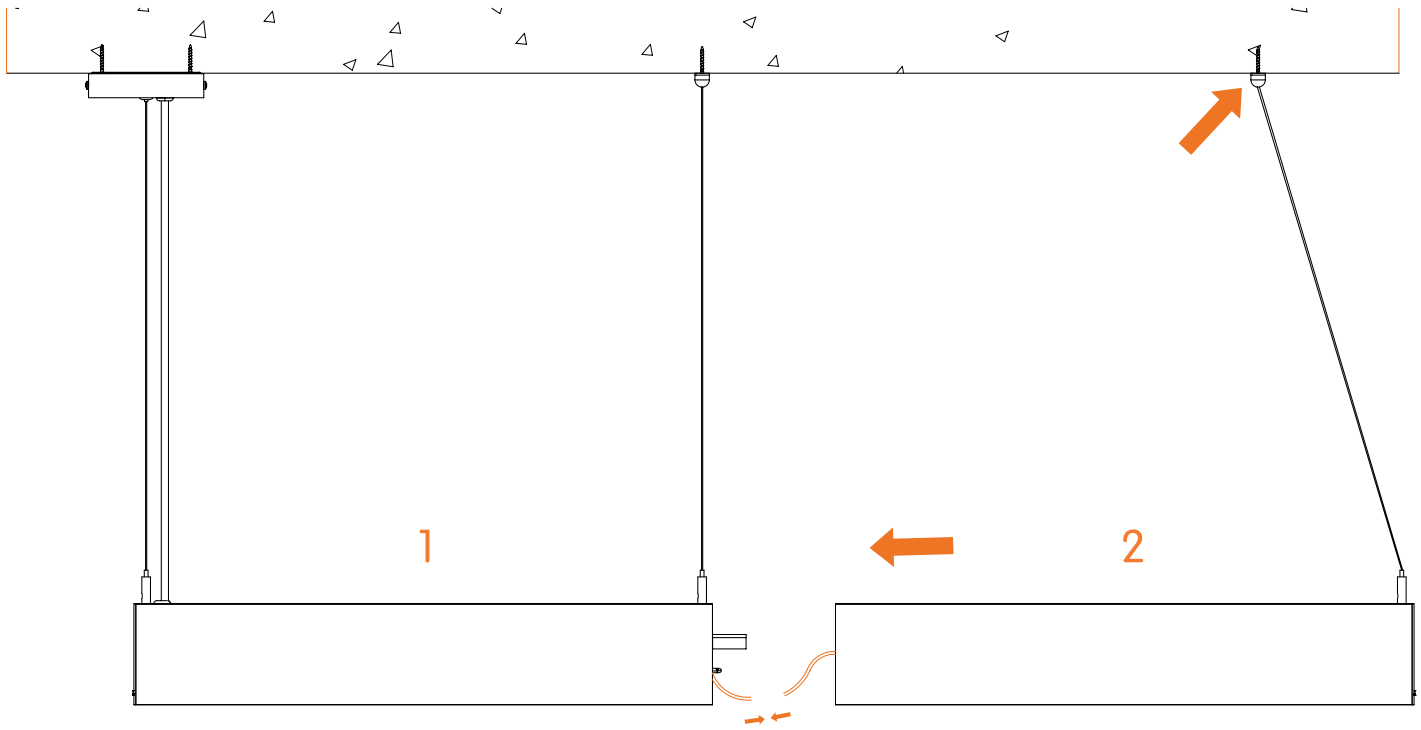
1.
 - ▶ Unclip the baffles
 - ▶ Screw the first alignment bracket into its designated place on the profile.
 - ▶ Slide the second alignment bracket then tighten its screw to fix it.
 - ▶ Install beginning of run profile per Section A (single unit install), steps 1-7.



BILLET

INDOOR PENDANT - DIRECT/INDIRECT

bold
lighting

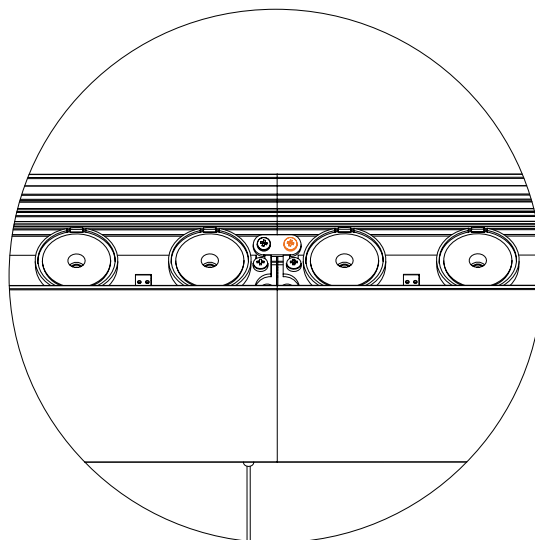


2.

- ▶ Refer to factory shop drawings for suspension point locations.
- ▶ 1- Install middle of run suspension point per factory shop drawings.
- ▶ 2- Connect electric cables.
- ▶ 3- Insert neighboring profile into alignment bracket and secure.

3.

- ▶ Tighten the screw of the alignment bracket as shown in the figure on both sides.



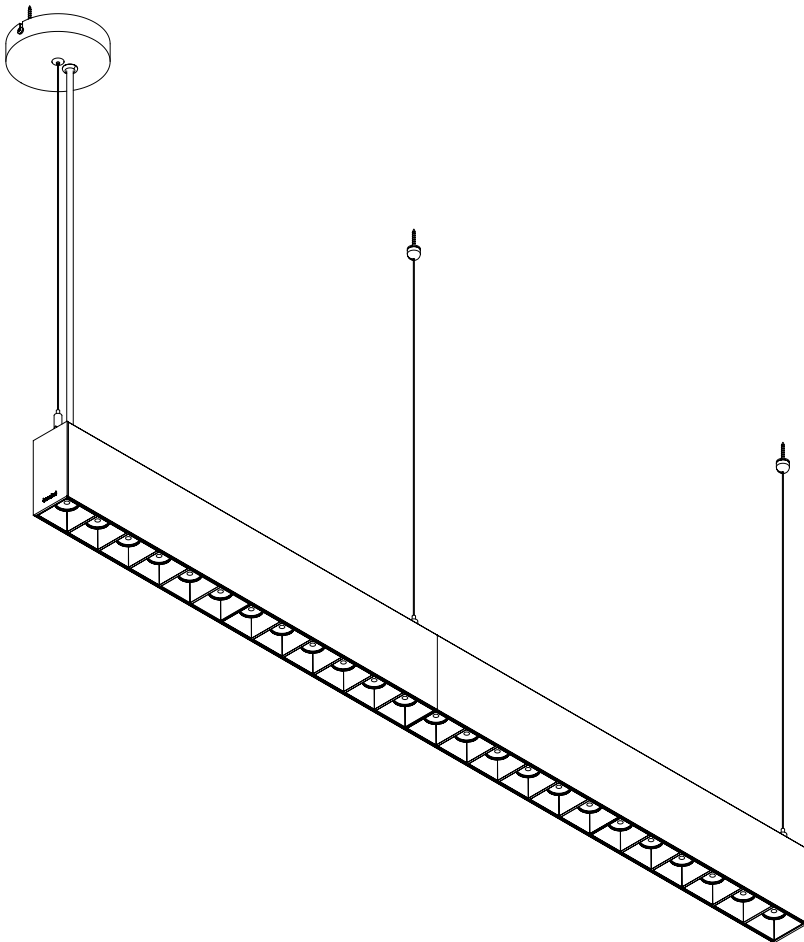
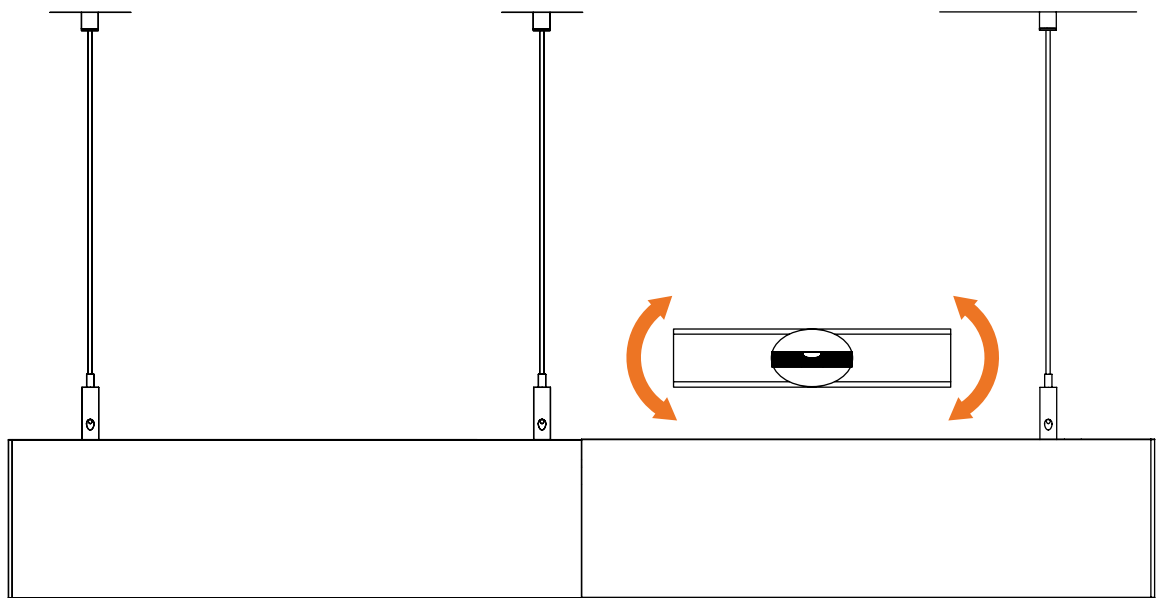
BILLET

INDOOR PENDANT - DIRECT/INDIRECT

bold
lighting

4.

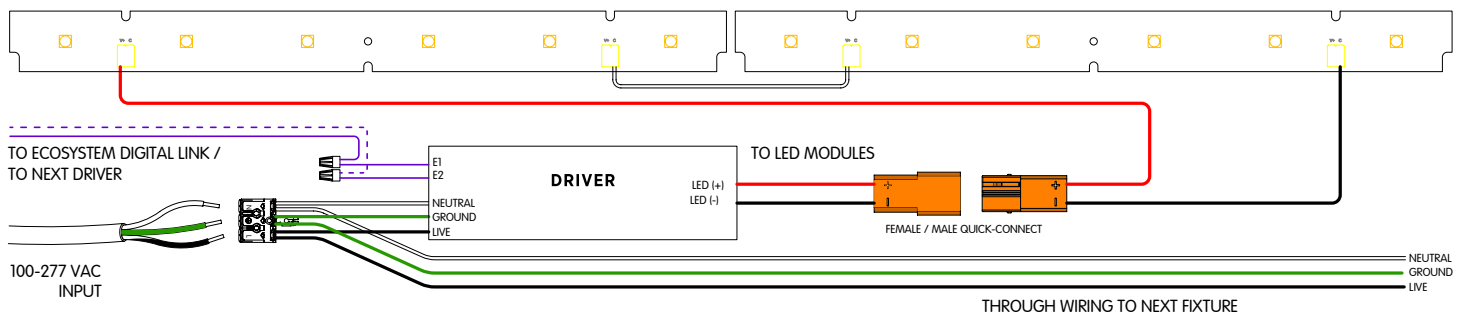
► Ensure entire fixture assembly is level before cutting excess aircraft cable.



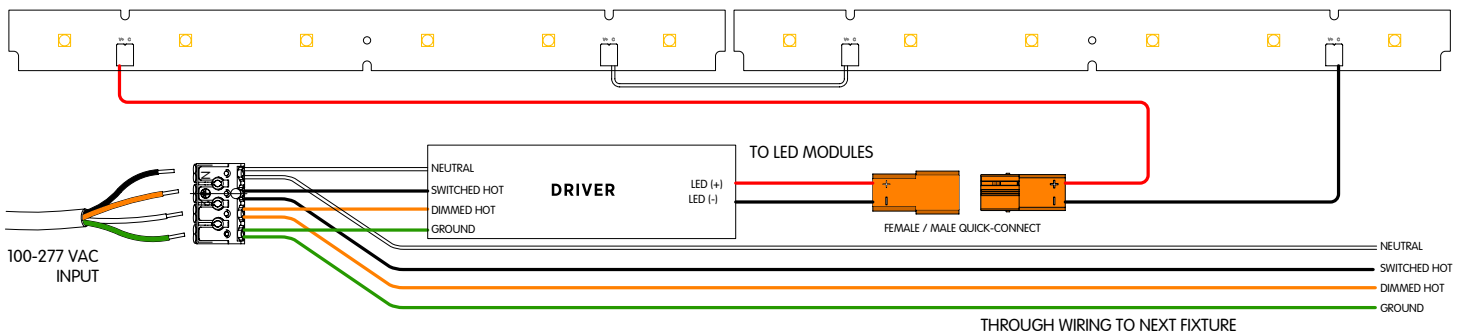
C. WIRING DETAILS

► Monochromatic White

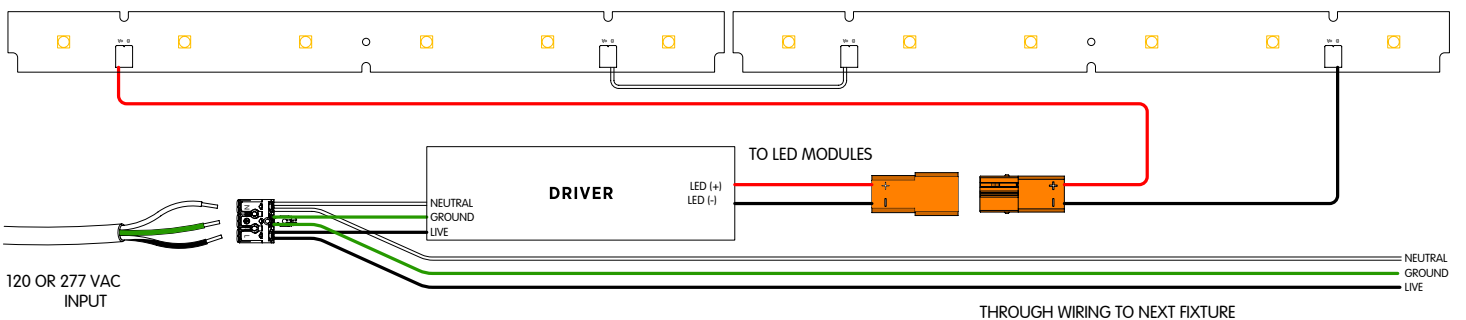
LUTRON ECOSYSTEM WIRING DIAGRAM



LUTRON 3 WIRE WIRING DIAGRAM

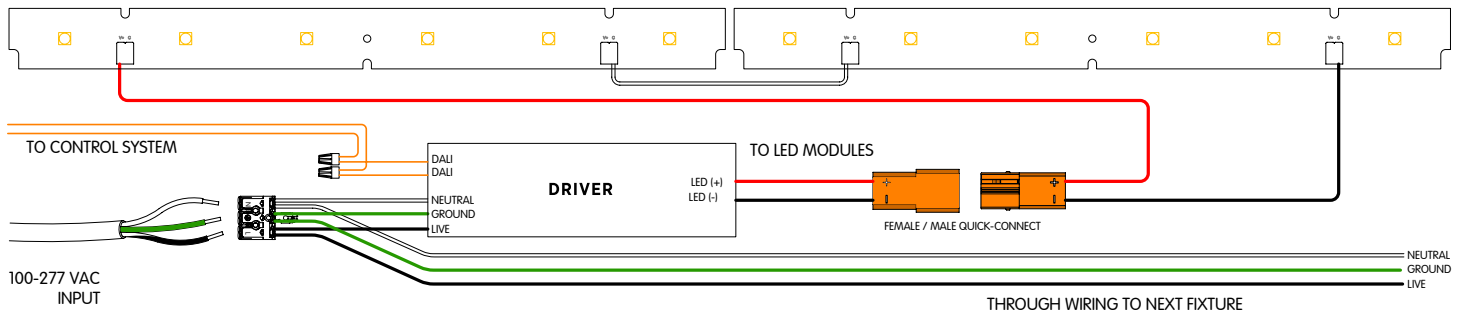


ELV / LUTRON 2 WIRE DIM / NON DIM WIRING DIAGRAM

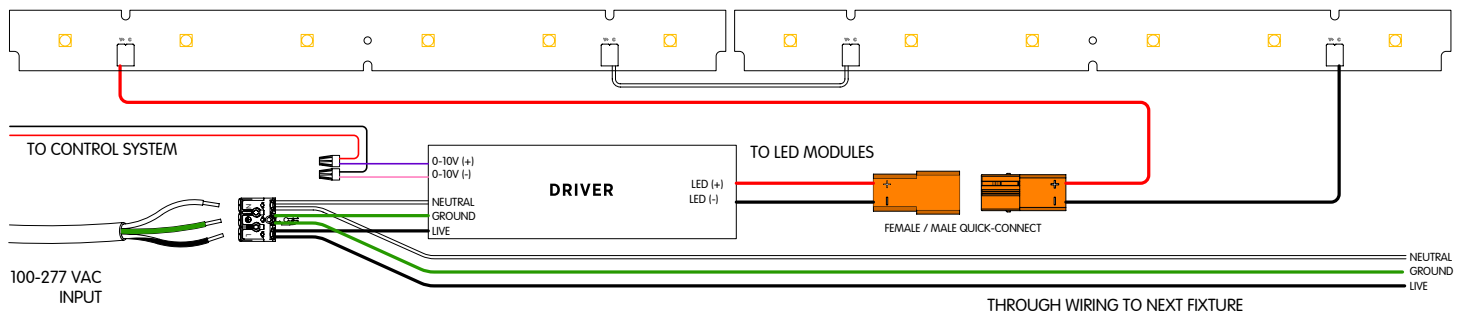


► Monochromatic White

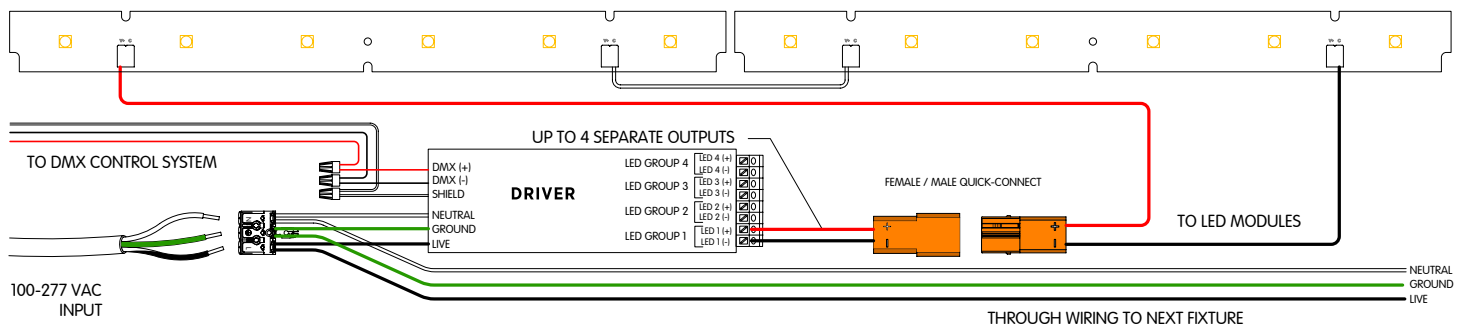
DALI WIRING DIAGRAM



0-10V WIRING DIAGRAM

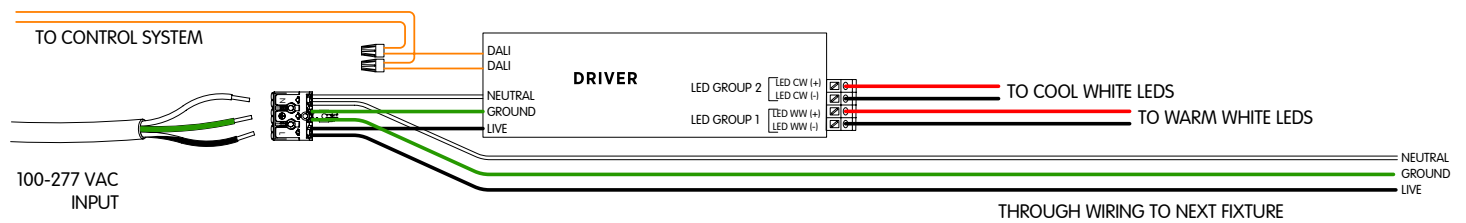


DMX WIRING DIAGRAM

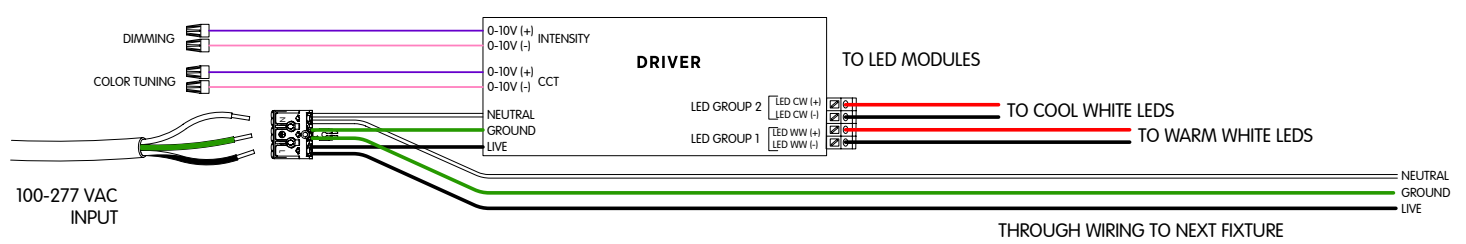


▶ Tunable White

2 CHANNELS DALI WIRING DIAGRAM



2 CHANNELS 0-10V WIRING DIAGRAM



⚠ Failure to follow the wiring color coding and connectors pin labeling will void the fixtures warranty.